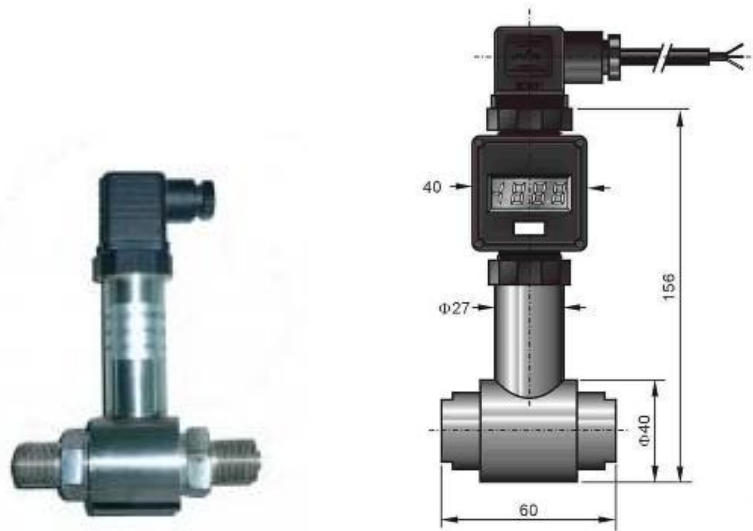


Model MC2070C Compact Differential Pressure Transmitter



DESCRIPTION:

Model MC2070C Compact Differential Pressure Transmitter adopts diffused silicon chip and double seal pressure piping. It can be installed directly on pipeline or connected through probe. It is suitable for differential pressure measuring for medical treatment, chemical fiber, electricity, dustless house and etc. The transmitter uses proprietary current output with wide temperature compensation. This design references the primary pressure sensing diaphragm to the atmosphere, and provides a stable zero regardless of the transducer environment.

FEATURES:

Pressure Media	gas
Supply Voltage	12 to 36V
Operating Range	(Differential/Gage/Negative Pressure):(-100KPa)-(-100Pa)-0~100Pa-200KPa
Accuracy	±0.25%, ±0.5%(25°C)
Over Pressure	200% full scale
Long Term Stability	<0.25%FS per year
Response	<100ms
Output Signal	(4~20)mA (Current two-wire/three-wire) , (0~10/20) mA (0~5) V, (1~5) V, (0~10) V, etc.
Temperature Range	-20~85°C (Normal), -20~200°C (Installation of the radiator)
Temperature Effects	0.00015%FS/°C
Pressure Connection	M12× 1\M20× 1.5\G1/2(Screw Thread) or user specified

Model MC2070C Compact Differential Pressure Transmitter

Electrical Connection	HIRSCHMANN Connection \Aviation Connector\Cable Type
Protection Class	IP65

ORDERING CODES:

MC2070C(KPa) <input type="checkbox"/> E <input type="checkbox"/> A <input type="checkbox"/> C <input type="checkbox"/> R <input type="checkbox"/> Compact Differential Pressure Transmitter			
MC2070C			
	(KPa)	Operating Range	
		D: Differential Pressure G: Gage Pressure P: Negative Pressure	
	E <input type="checkbox"/>	Output Signal	
		1: (0~5)VDC 2: (4~20)mA 3: User Specified	
	A <input type="checkbox"/>	Accuracy	
		1: 0.25 2: 0.5	
	C <input type="checkbox"/>	Pressure Connection	
		1: 1: G1/2 female 2: User Specified	
	R <input type="checkbox"/>	Electrical Connection	
		1: HIRSCHMANN Connection 2: Cable Type 3: User Specified	