

## MYDJ-X Electric Contact Pressure Gauge



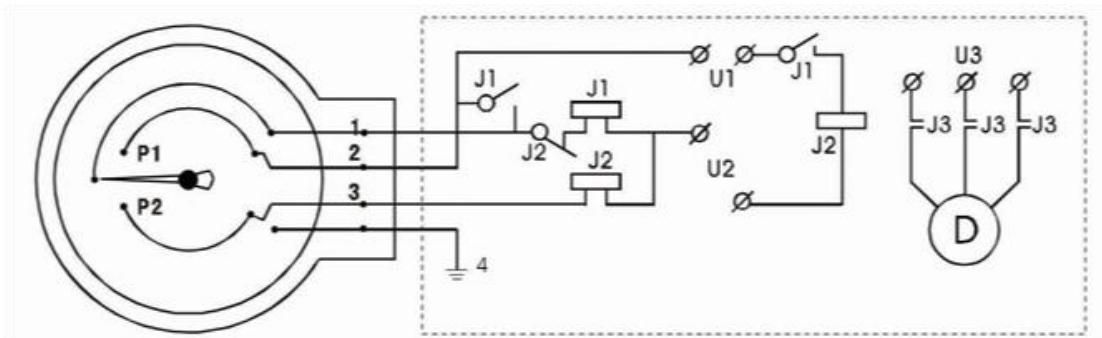
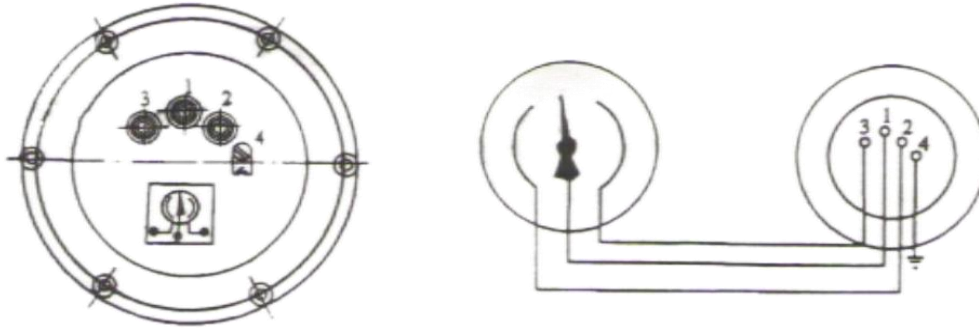
MYDJ-X series electric contact pressure gauge is a superior design type with electric contact controller output for pressure controlling and alarming in automatic process. When measured pressure reaches rated value, it outputs signals to operate auto-controlling and alarming device. It is suitable for measuring pressure of gas or liquid and characterized with novel design and reliable structure, good movement stability, durable installation and less maintenance.

MYDJ-X series pressure gauge can also be fillable with oil to deal with severe pulsation and vibration condition. It can combine with diaphragm seal for further usage in corrosive process.

MYDJ-X series pressure gauge consists of measuring system, indicating devices, magnetic devices, adjusting device and other components. When the measured pressure contacts the spring tube, it produces the corresponding elastic deformation and transmits it by the pointing device to showing the pressure value on the gauge dial. The pointer drive instantaneous contact (upper or lower) or separate, causing the control system turned on or off the circuit, then achieving automatic control and alarm transmission.

### Principle

Under the pressure, the needle (named active needle in this instrument) of basic pressure gauge will raise, when the needle contact to the upper limit, a signal will be transferred to control system, this will make the resource pressure stop working. On the contrary, when the active need contact to the lower limit, signal will be transferred to control system, this will make resource pressure system add the pressure to system again.



1. Indicating Needle (yellow wire)
2. Conducting Needles (Contact) for Upper Limit (red wire)
3. Conducting Needles (Contact) for Lower Limit (blue wire)
4. Grounding

**Technical Specification**

Dial size: 2.5"; 4"; 6"

Switch type: single switch contact, 2 switch contacts,

Connection thread: brass or stainless steel

Gauge cover: PC or acrylic

Working voltage: 220V or 380V

Contact power: 30VA, 10VA

Contact type: electric and inductive, magnetic

Working environment: -40 ~ 70 °C

Relative humidity: less than 85%.

Accuracy class: ±1.6% or ±2.5%

Case materials: steel or stainless steel

Tube and socket: brass, stainless steel



Element: brass, stainless steel

Connection thread: NPT, BSP, BSPT and other special specification

Connection: bottom connection, back connection

Windows: acrylic, glass or polycarbonate

Ingress protection: dry gauge IP54, liquid filled IP65

Filling: dry or liquid filled

Pointer: black painted aluminum

Filling plug: standard industrial rubber

Dial plate: single or dual scale (psi, kpa, mpa, bar, kg/cm<sup>2</sup> etc.)

### Model Selection

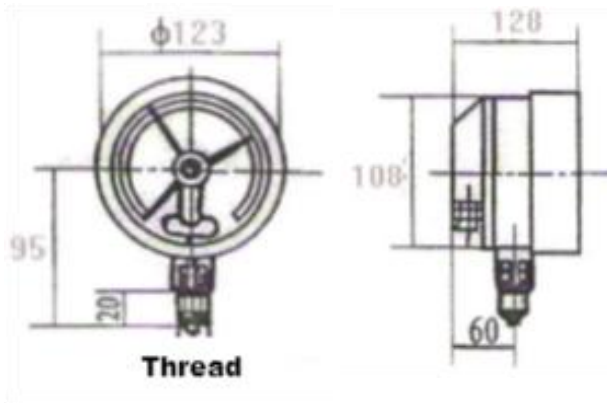
MYDJ	Electric Contact Pressure Gauge	
-	Contact type	None: Retarded contact C: Magnetic-assist contact
-	Dial diameter	E.g. -100 (100mm), or -4" etc.
-	(Pressure range)	e.g. (0-10bar) or (0-1MPa) etc.
-	Installation type	None: bottom installation connection Z: back installation connection T: edge flange installation connection
-	Material	-SS: SS case and SS wet parts -SB: SS case and brass wet parts -CB: steel case and brass wet parts -GB: chromed case and brass wet parts -O: specified For SS (stainless steel) , please specified 304SS or 316SS.
-	Filling	D: dry DF: dry but can be filled N: vibration-proof glycerin filled
-C	Cable lead type	1: junction box 2: aviation plug lead cable 3: Hirschman
-A	Installment type	1: thread 2: flange 3: clamp 4: customer specified
-	Size of installment	e.g. for A1, -1/2BSP or -M20*1.5 etc.; for A3, -2" or 3" etc.

Ex-proof electric contact pressure gauge is composed of explosion-proof case and build-in pressure gauge with electrical contact. When the flammable gas mix in gauge case explodes caused by the spark or electric arc (generally caused by the electric signal device with pressure gauge with electrical contact), the explosive gas outside the case won't explode accordingly, thus achieving the explosion-proof purpose.

**Model Selection for Ex-proof Type**

MYDJ	Electric Contact Pressure Gauge	
-Ex	Ex-proof type	
-120	Dial diameter	
-	(Pressure range)	e.g. (0-10bar) or (0-1MPa) etc.
-	Installation type	None: bottom installation connection T: edge flange installation connection
-A	Installment type	1: thread 2: flange 3: clamp 4: customer specified
-	Size of installment	e.g. for A1, -1/2BSP or -M20*1.5 etc.; for A3, -2" or 3" etc.

**Dimensions**



Accessories



R1 High pressure radiator



R2 Capillary radiator



R3 High-Temperature tube



Overpressure protector



One Valve



One Valves With A Bleeding Screw



Two Valves



Syphon